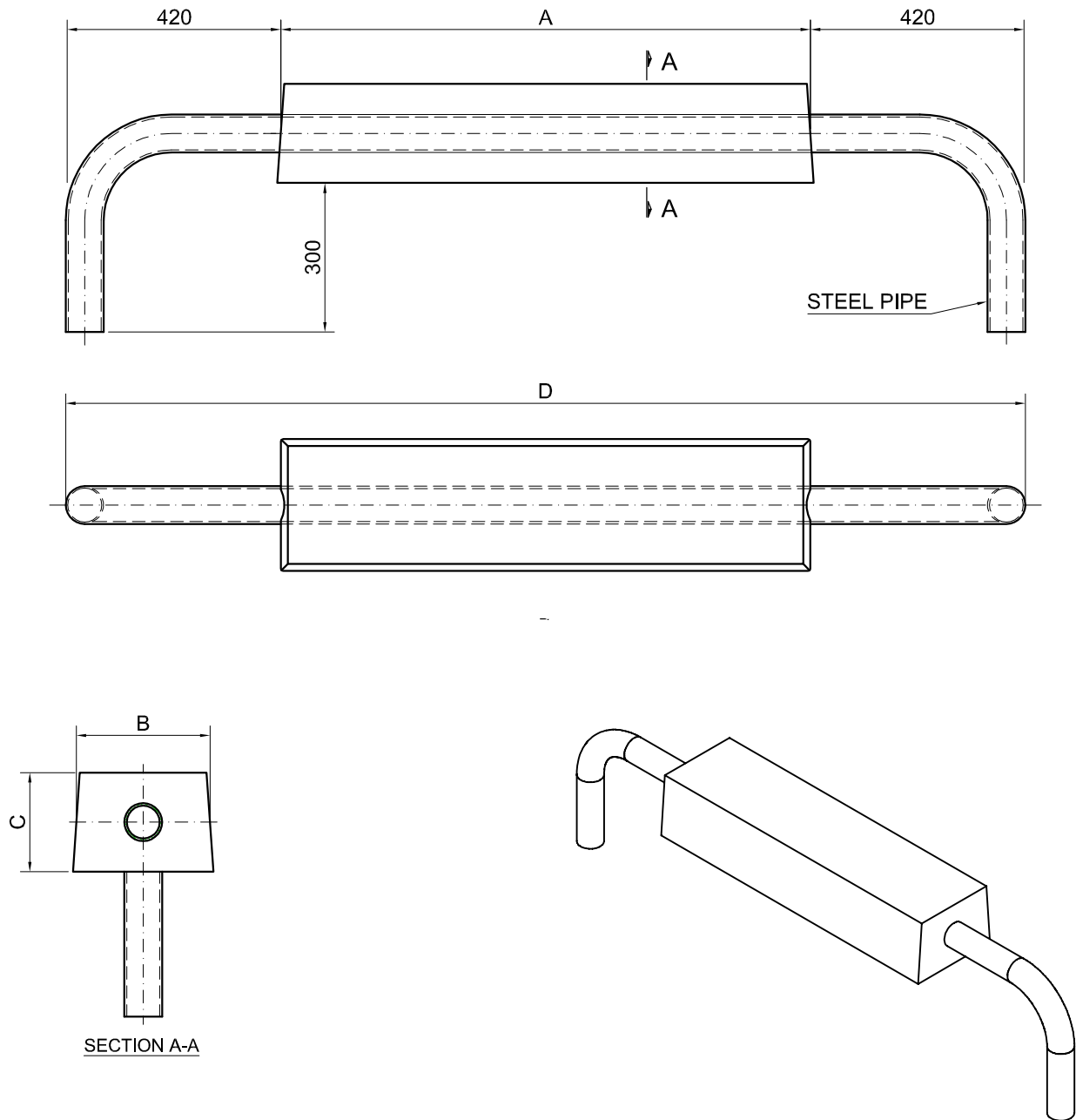


ALUMINIUM ANODE TYPE ATS



TYPE	DIMENSION (mm)				STEEL PIPE	NET WEIGHTH kg	GROSS WEIGHTH kg
	A	B	C	D			
ATS - 113	1000	235	195	1840	TUBO Ø 3" SCH 40 API 5L GR. B	113,26	138,40
ATS - 171	1500	235	195	2340	TUBO Ø 3" SCH 40 API 5L GR. B	169,89	200,67
ATS - 280	2000	248	235	2840	TUBO Ø 4" SCH 40 API 5L GR. B	270,42	322,28
ATS - 369	2500	248	235	3340	TUBO Ø 4" SCH 40 API 5L GR. B	334,64	394,72
ATS - 485	2500	310	250	3340	TUBO Ø 4" SCH 40 API 5L GR. B	453,20	513,60
ATS - 581	3000	310	250	3840	TUBO Ø 4" SCH 40 API 5L GR. B	543,84	612,27