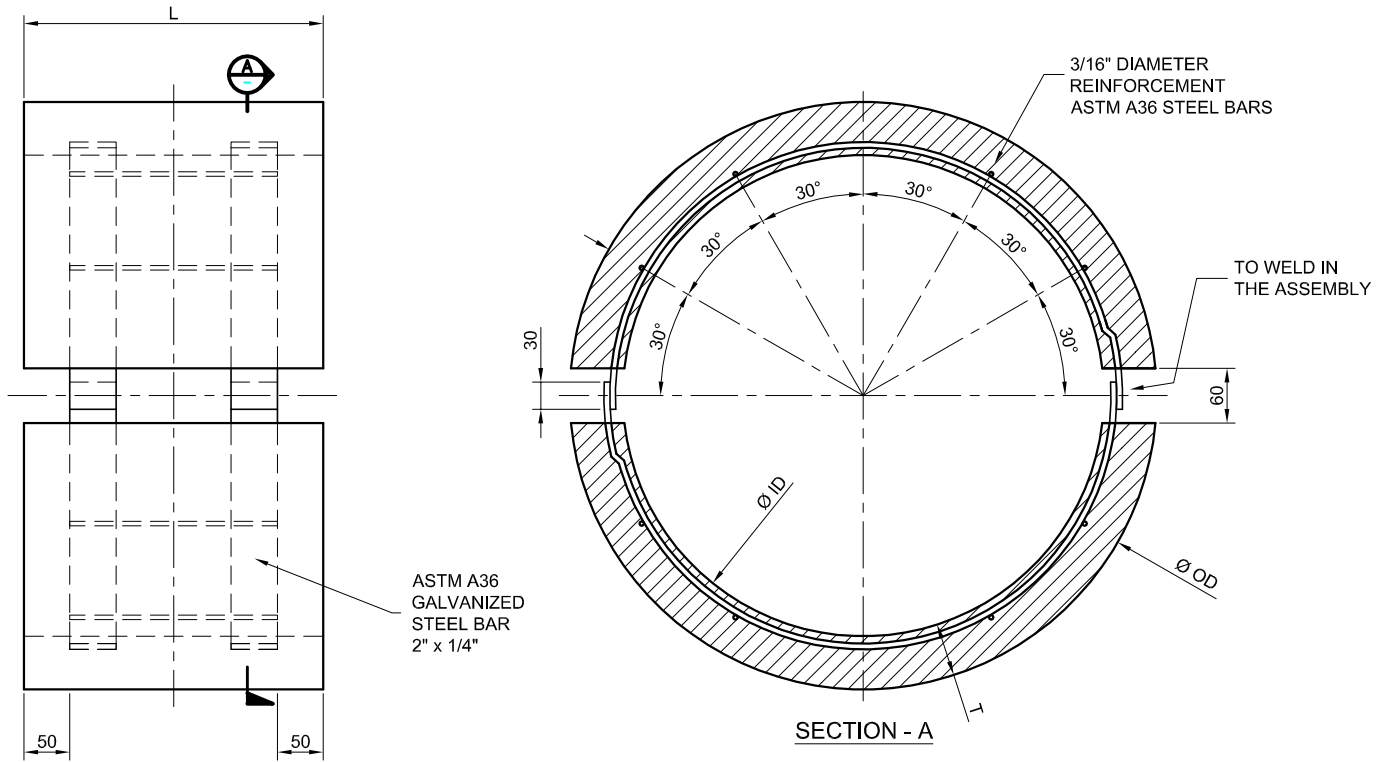


ALUMINIUM ANODE TYPE BRACELET
(TYPICAL)



1.- ALL DIMENSIONS ARE IN MILLIMETERS, EXCEPT WHERE INDICATED .