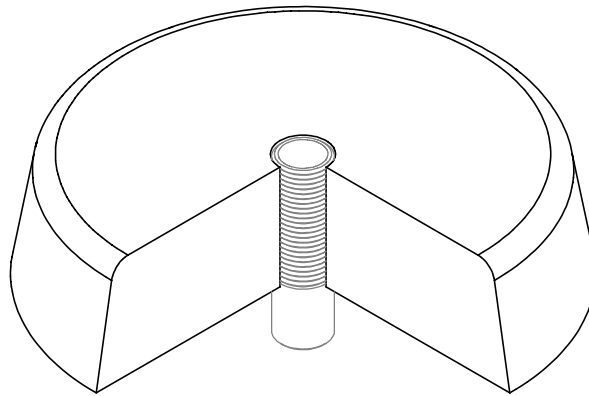
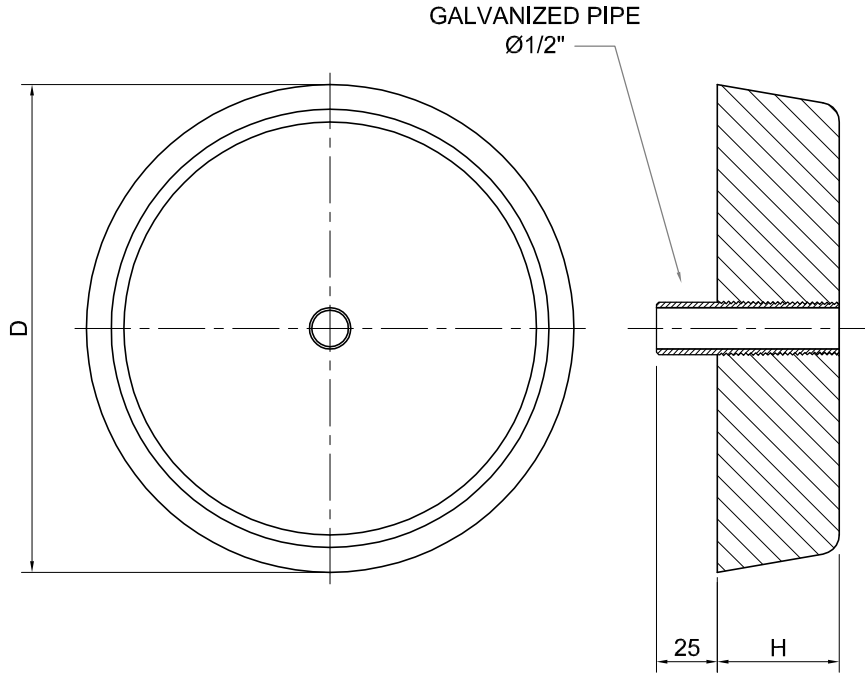


MAGNESIUM GALVANIC ANODES DISC FORMAT - TYPE FD



MAGNESIUM ALLOY

TYPE		DIMENSION (mm)		WEIGHT (kg)	
SACOR SACORMAG	PETROBRAS EQUIVALENT	D	H	NET	GROSS
FD - 1	MDP - 0,45	78	45	0,36	0,45
FD - 2	MDP - 0,70	140	25	0,65	0,70
FD - 3	MDP - 1,15	180	25	1,10	1,15
FD - 4	MDP - 1,40	200	25	1,35	1,40
FD - 5	MDP - 2,80	200	50	2,70	2,80