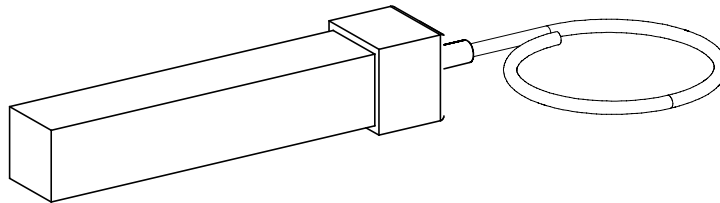
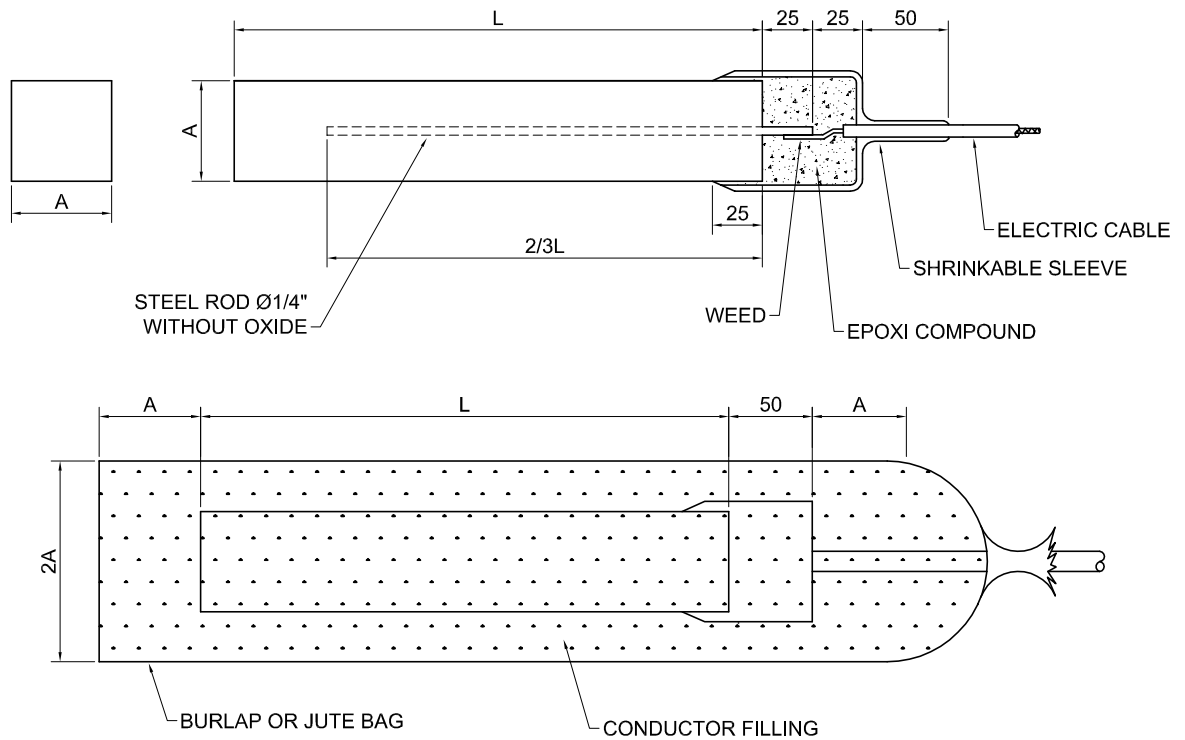


MAGNESIUM ANODE TYPE FQ



TYPE	DIMENSION (mm)		WEIGHT (kg)	
	L	A	NET	GROSS
600/75	600	75	5,8	6,0
550/90	550	90	7,7	7,9
600/90	600	90	8,4	8,6
800/75	800	75	7,8	8,0
800/90	800	90	11,2	11,4
1000/90	1000	90	14,0	14,2
1000/100	1000	100	17,3	17,5

ALL DIMENSIONS ARE IN MILLIMETERS, EXCEPT WHERE INDICATED .