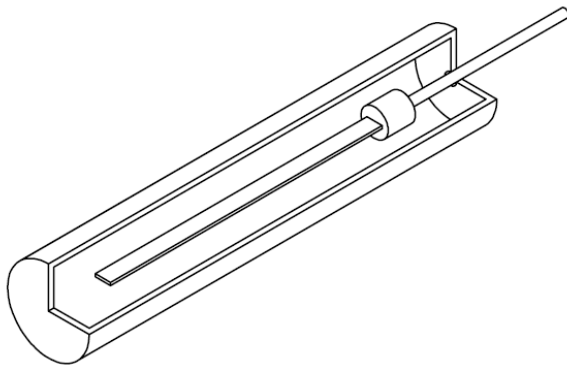
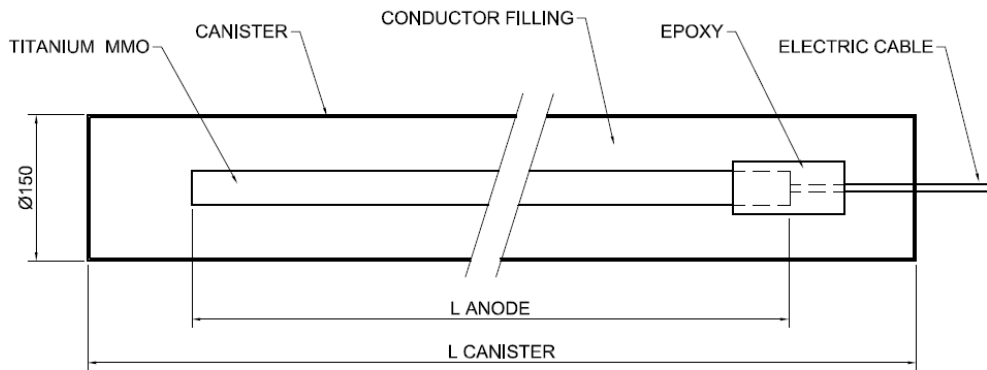
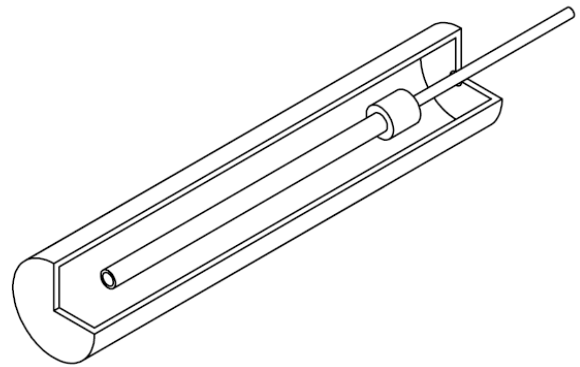


TITANIUM ANODE SACORTIT



TYPE SACOR STRIP



TYPE SACOR ROD

	TYPE SACOR STRIP		TYPE SACOR ROD	
	500 mm	1000 mm	500 mm	1000 mm
METAL	Titanium ASTM-B-265 G.1	Titanium ASTM-B-265 G.1	Titanium ASTM-B-265 G.1	Titanium ASTM-B-265 G.1
DIMENSIONS OF ANODE	500 x 17 x 2,5 mm (see note 2)	1000 x 17 x 2,5 mm (see note 2)	Ø 25,4 x 500 mm (see note 2)	Ø 25,4 x 1000 mm (see note 2)
WEIGHT OF ANODE	0,7 Kg (Anode + Muffle + 3,0 m Electric Cable 6 mm ²)	0,81 Kg (Anode + Muffle + 3,0 m Electric Cable 6 mm ²)	0,75 Kg (Anode + Muffle + 3,0 m Electric Cable 6 mm ²)	0,92 Kg (Anode + Muffle + 3,0 m Electric Cable 6 mm ²)
DIMENSIONS OF CANISTER WITH ANODE	Ø150 x 1500 mm	Ø150 x 2000 mm	Ø150 x 1500 mm	Ø150 x 2000 mm
WEIGHT OF CANISTER WITH ANODE	32 Kg	42 Kg	32 Kg	42 Kg

- 1- All dimensions are in millimeters, except where indicated.
- 2- Others sizes can be manufactured.
- 3- The dimension of the canister can vary according to the project.