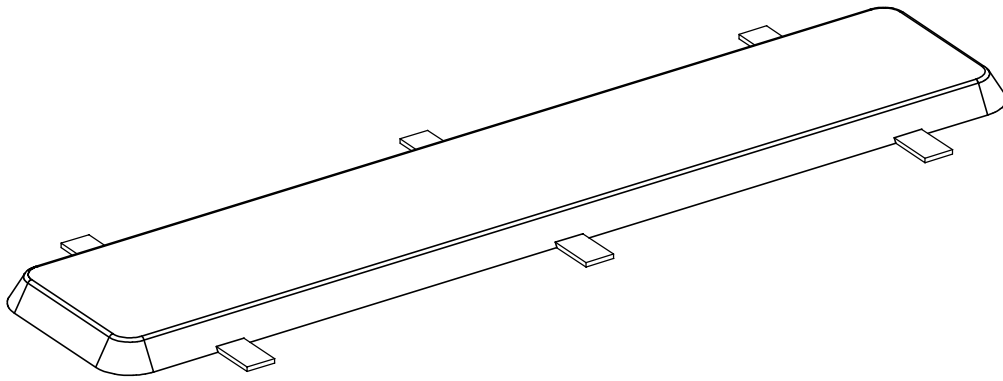
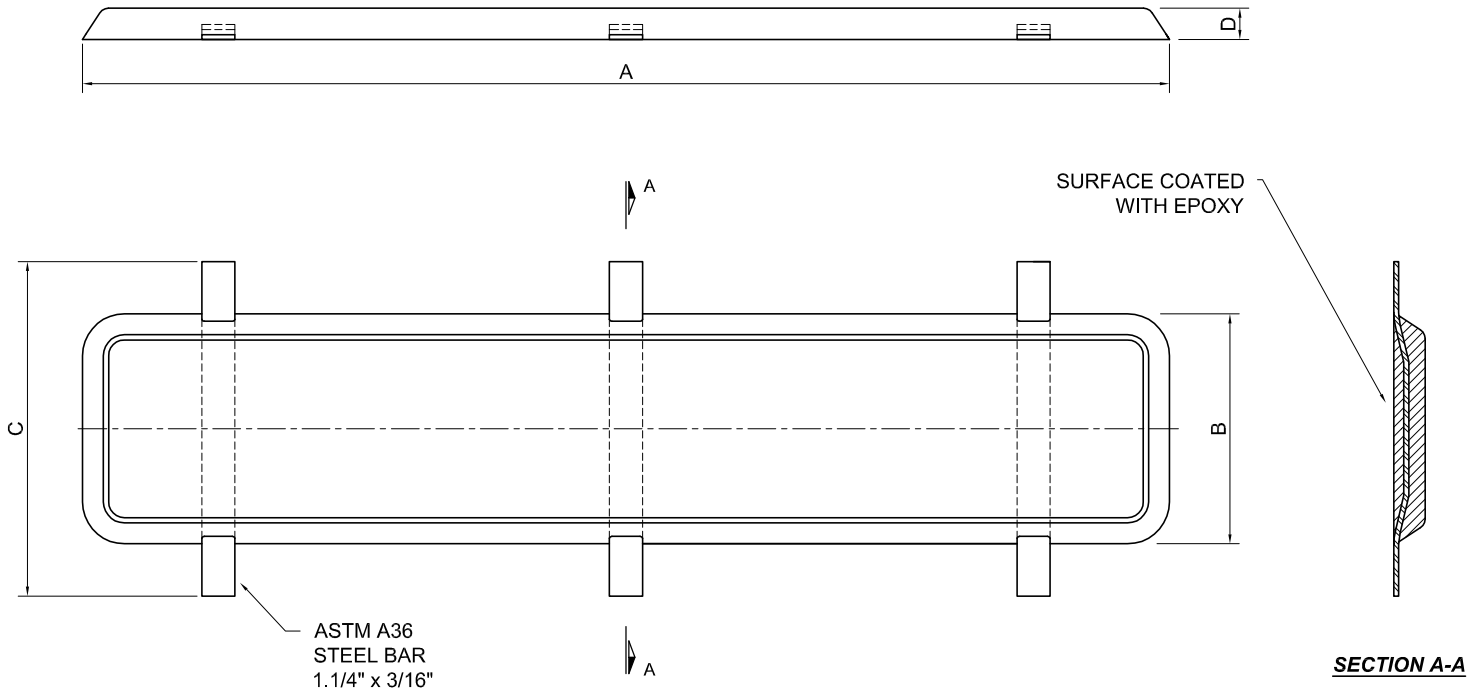


ALUMINIUM ANODE TYPE APCE 400



TYPE		DIMENSION (mm)				WEIGHT (kg)	
SACOR APCE	PETROBRAS AES	A	B	C	D	NET	GROSS
400	16	1040	220	320	30	14,9	16,0