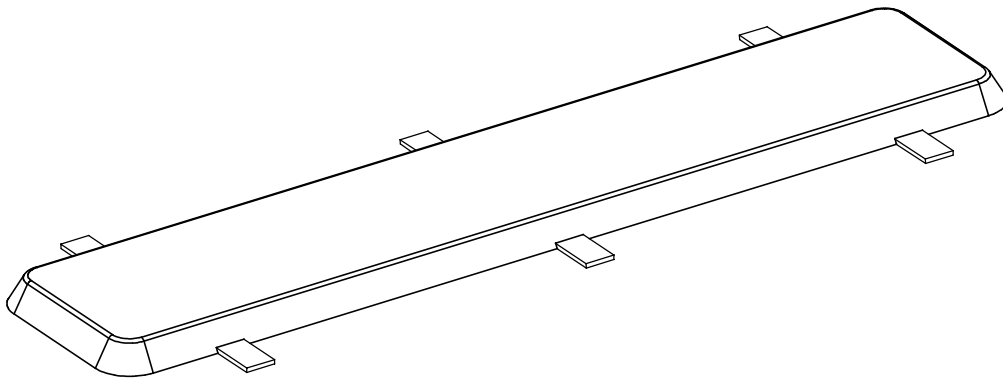
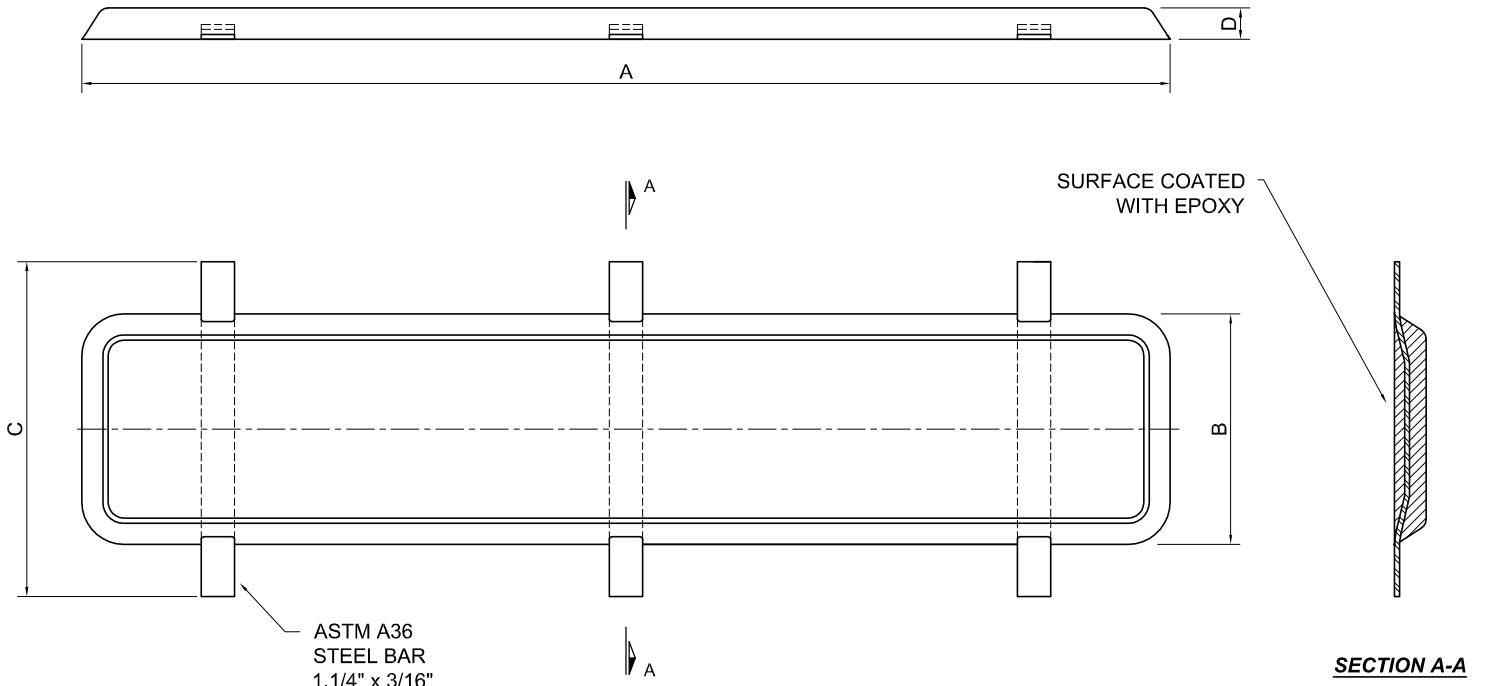


ZINC ANODE TYPE APCE 400



TYPE		DIMENSION (mm)				WEIGHT (kg)	
SACOR APCE	PETROBRAS ZES	A	B	C	D	NET	GROSS
400	40	1040	220	320	30	38,9	40