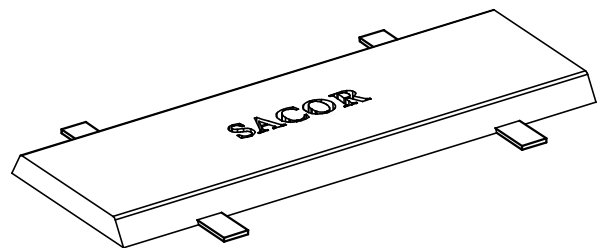
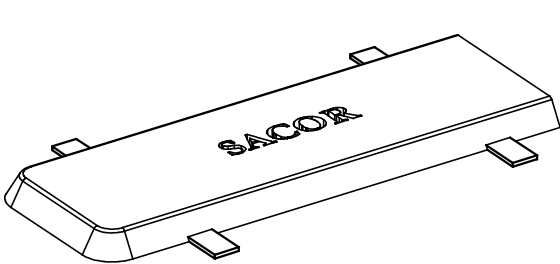
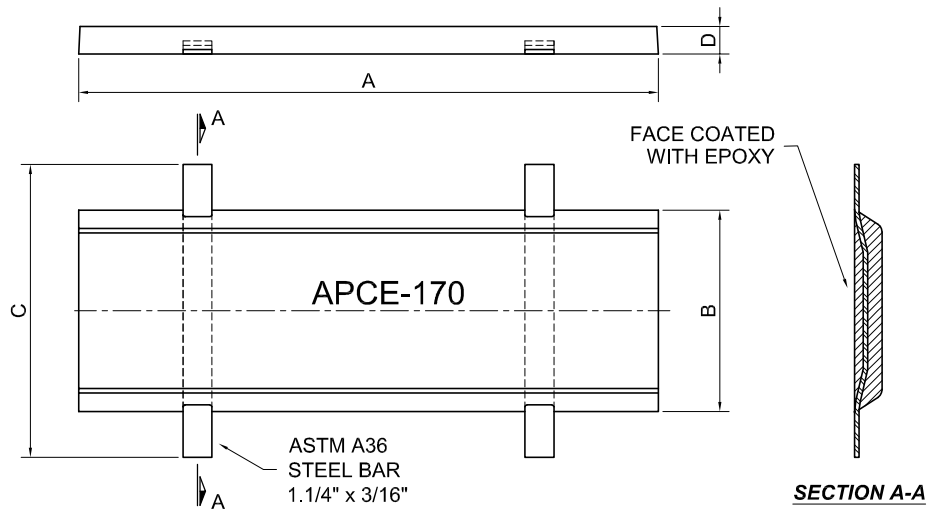
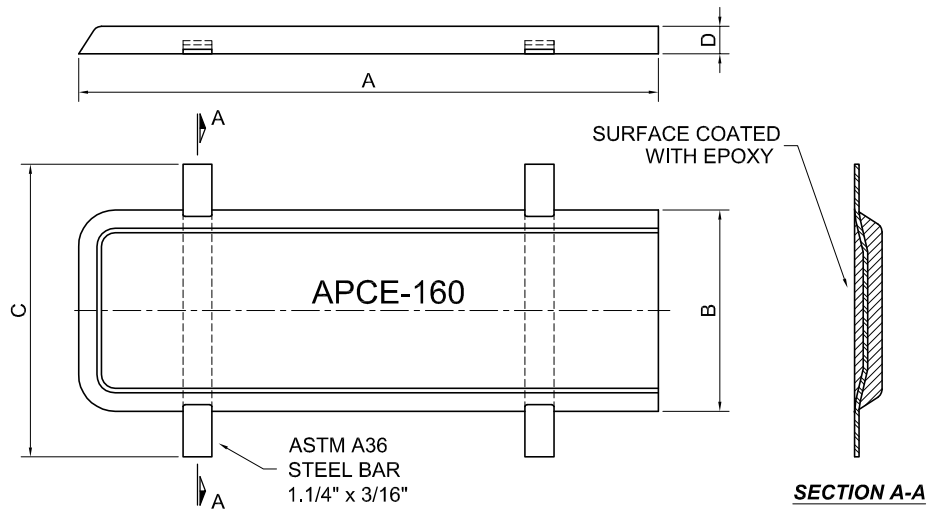
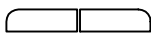
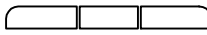
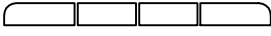


ALUMINIUM ANODE TYPE APCE



TYPE		DIMENSION (mm)				WEIGHT (kg)		SEE NOTES
SACOR	PETROBRAS	A	B	C	D	NET	GROSS	
APCE	AES							
320	-	1240	120	170	40	12,3	12,8	
490	-	1865	120	170	40	19,1	19,6	
660	-	2490	120	170	40	25,9	26,4	

- 1.- ALL DIMENSIONS ARE IN MILLIMETERS, EXCEPT WHERE INDICATED .
- 2.- APCE-320 IS COMPOSED WITH 2 APCE-160.
- 3.- APCE-490 IS COMPOSED WITH 2 APCE-160 AND 1 APCE-170.
- 4.- APCE-660 IS COMPOSED WITH 2 APCE-160 AND 2 APCE-170.